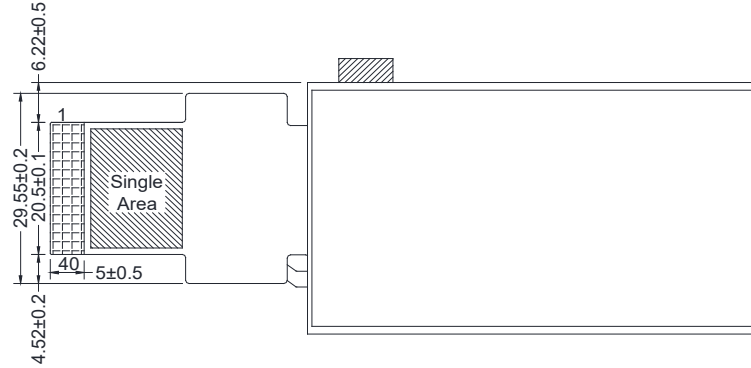
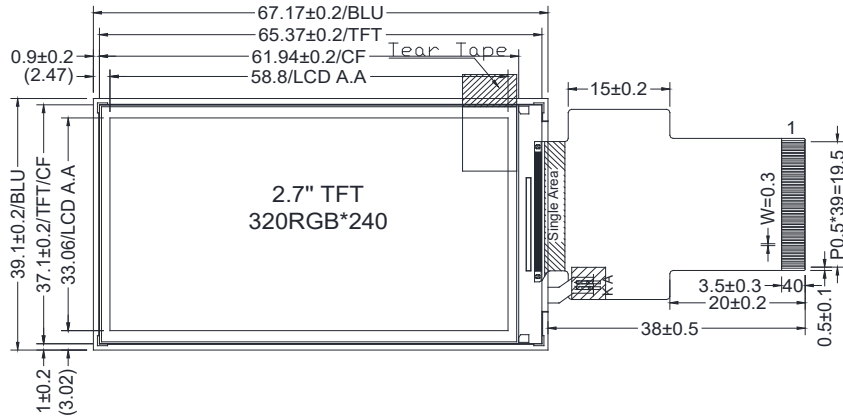


# Mechanical Dimensions

	First Release



PIN	SYMBOL	PIN	SYMBOL	PIN	SYMBOL	PIN	SYMBOL	PIN	SYMBOL	PIN	SYMBOL
1	VCOM	8	D7	15	D0	22	C2P	29	C4P	36	VCAC
2	CS	9	D6	16	GND	23	C2M	30	C4M	37	DRV
3	SDA	10	D5	17	VCI	24	VINT1	31	VGH	38	VLED-A
4	SCL	11	D4	18	IOVCC	25	C3P	32	VGL	39	VLED-K
5	HSYNC	12	D3	19	DVDD	26	C3M	33	AGND	40	VCOM
6	VSYNC	13	D2	20	C1P	27	VINT4	34	FRP		
7	DCLK	14	D1	21	C1M	28	VINT3	35	COMDC		

## Notes:

1. Display size: 2.7" IPS TFT
2. Viewing direction: All View
3. Display mode: Transmissive/Normal Black
4. Operating temperature: -20°C~+70°C
5. Storage temperature: -30°C~+80°C
6. Backlight: White(6LEDs)/18.6V/20mA  
Brightness: 700 cd/m<sup>2</sup>(TYP)
7. Power supply voltage: 3.3V (IL18961)
8. RoHS compliant
9. General tolerance: ±0.3mm



### Backlight Circuit

**LOGIC TECHNOLOGIES**

Part Number		Revision	
LTTD320240027-L1		A	
	Not to scale. Unit mm.		Sheet: 1/1