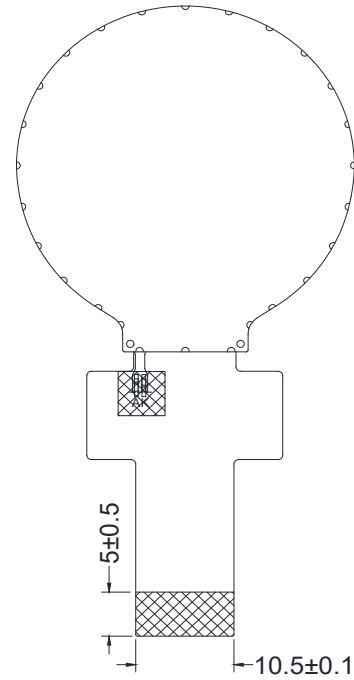
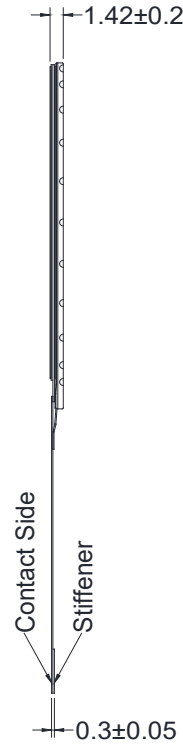
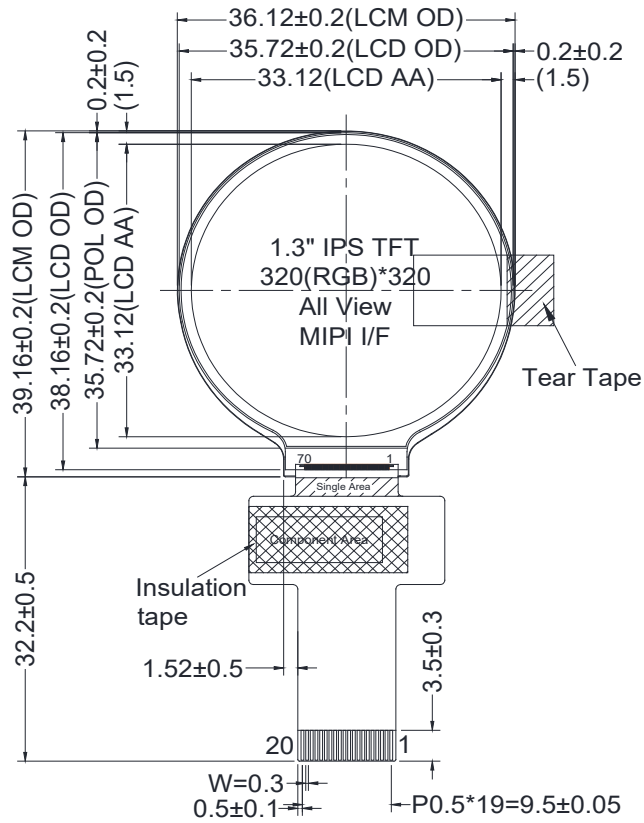


Mechanical Dimensions

△	First Release
△	
△	



LCM



PIN	SYMBOL
1	GND
2	LED-
3	LED+
4	GND
5	VDDA
6	VDDI
7	RESXP
8	GND
9	TEP
10	GND
11	D0_N
12	D0_P
13	GND
14	CLK_N
15	CLK_P
16	GND
17	NC
18	NC
19	NC
20	NC

Notes:

1. Display size: 1.3" IPS TFT
2. Viewing direction: All View
3. Display mode: Transmissive/Normal Black
4. Operating temperature: -20°C~+70°C
5. Storage temperature: -30°C~+80°C
6. Backlight: White(2LEDs)/3.1V/40mA  
Brightness: 300 cd/m<sup>2</sup>(Typ)
7. Power supply voltage: 2.8V (ST7796DW)
8. RoHS compliant
9. General tolerance: ±0.3mm



LED Circuit Diagram

 <b>LOGIC TECHNOLOGIES</b>	
Part Number	Revision
LTTD320320013-L1	A
 Not to scale. Unit mm.	
Sheet: 1/1	