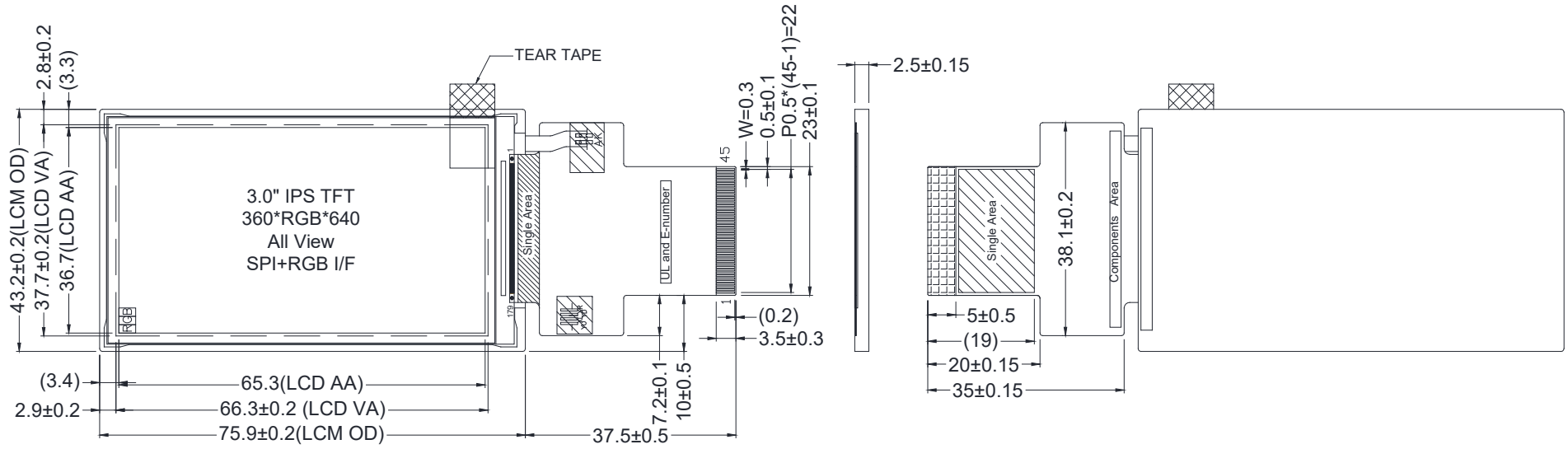


### Mechanical Dimensions




PIN	NAME	11	SDA	21	R1	31	B7	41	HSYNC
1	LEDK	12	WR	22	R0	32	B6	42	VSYNC
3	NC(YU)	13	CS	23	G7	33	B5	43	RS
4	NC(XR)	14	RESET	24	G6	34	B4	44	RD
5	NC(YD)	15	R7	25	G5	35	B3	45	GND
6	NC(XL)	16	R6	26	G4	36	B2		
7	GND	17	R5	27	G3	37	B1		
8	VCC	18	R4	28	G2	38	B0		
9	IOVCC	19	R3	29	G1	39	ENABLE		
10	TE	20	R2	30	G0	40	DOTCLK		

**Notes:**


1. Display size: 3.0" IPS TFT
2. Viewing direction: All
3. Display mode: Transmissive/Normal Black/Glare
4. Operating temperature: -20°C~+70°C
5. Storage temperature: -30°C~+80°C
6. Backlight: White(5LEDs)/16V/20mA  
Brightness: 300 cd/m<sup>2</sup>(TYP)
7. Power supply voltage: 3.3V (ST7701)
8. RoHS compliant
9. General tolerance: ±0.3mm



Backlight Circuit Diagram



**LOGIC TECHNOLOGIES**

Part Number	Revision
LTTD360640030-L1	A
 Not to scale. Unit mm.	Sheet: 1/1