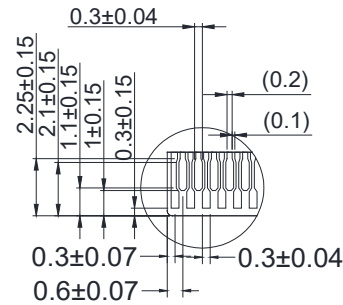
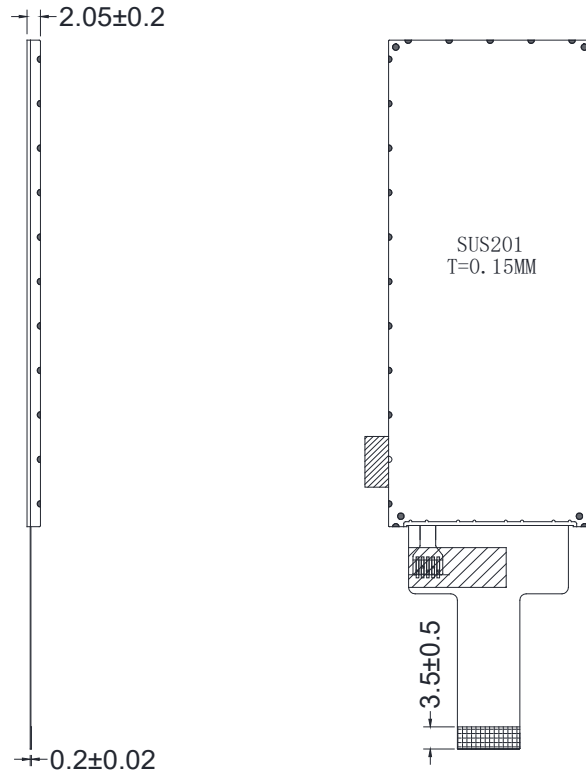
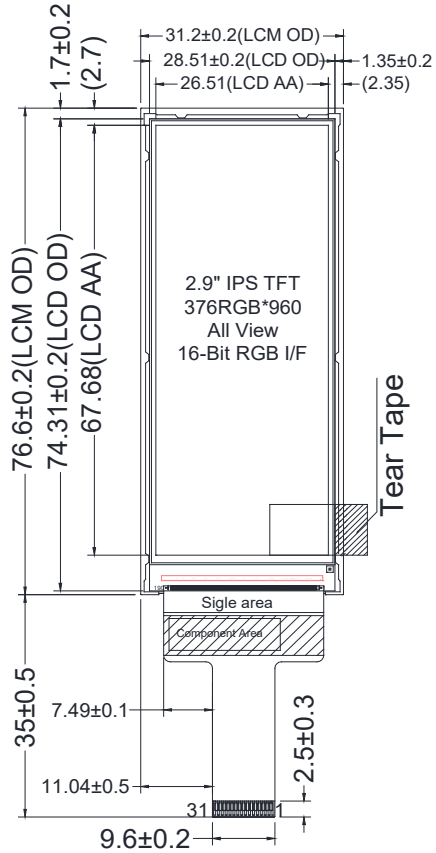


Mechanical Dimensions

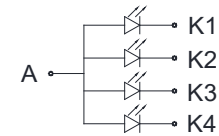


DETAIL: A 4/1

△	First Release
△	
△	

LCM

PIN	SYMBOL
1	LEDA
2	LEDK
3	GND
4	RES
5	VS
6	HS
7	CLK
8	DE
9	GND
10	R4
11	R3
12	R2
13	R1
14	R0
15	G5
16	G4
17	G3
18	G2
19	G1
20	G0
21	B4
22	B3
23	B2
24	B1
25	B0
26	IOVCC
27	SDA
28	SCL
29	CS
30	VCI
31	NC



LED Circuit Diagram

Notes:

1. Display size: 2.9" IPS TFT
2. Viewing direction: All
3. Display mode: Transmissive/Normal Black
4. Operating temperature: -20°C~+70°C
5. Storage temperature: -30°C~+80°C
6. Backlight: White(4LEDs)/3.0V/80mA
Brightness: 400 cd/m²(Typ)
7. Power supply voltage: 3.3V (ST7701SI-G5)
8. RoHS compliant
9. General tolerance: ±0.3mm



LOGIC TECHNOLOGIES

Part Number		Revision	
LTTD376960029-L1		A	
Not to scale. Unit mm.		Sheet: 1/1	