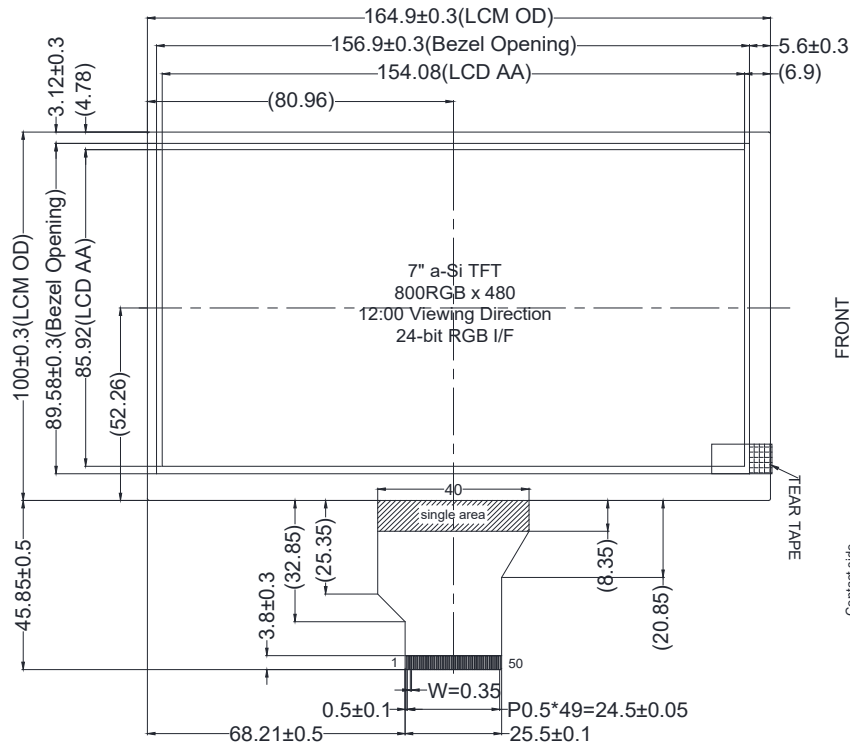


# Mechanical Dimensions

	First Release

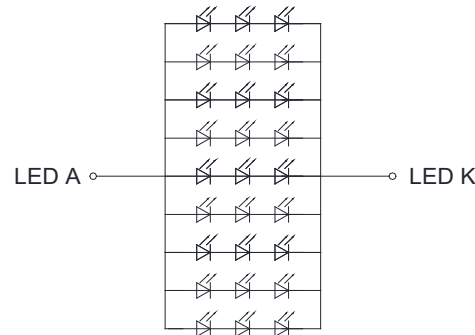
## TFT I/F:

NO.	Pin name	NO.	Pin name
1	VLED+	26	G1
2	VLED+	27	G0
3	VLED-	28	R7
4	VLED-	29	R6
5	GND	30	R5
6	VCOM	31	R4
7	VCC	32	R3
8	MODE	33	R2
9	DE	34	R1
10	VSYNC	35	R0
11	HSYNC	36	GND
12	B7	37	DCLK
13	B6	38	GND
14	B5	39	L/R
15	B4	40	U/D
16	B3	41	VGH
17	B2	42	VGL
18	B1	43	AVDD
19	B0	44	RESET
20	G7	45	NC
21	G6	46	VCOM
22	G5	47	DITHB
23	G4	48	GND
24	G3	49	NC
25	G2	50	NC



### Notes:

1. Display size: 7" TN TFT
2. Viewing direction: 12:00 O'Clock  
Colours inversion direction: 6:00 O'Clock
3. Display mode: Transmissive/Normal White
4. Operating temperature: -20°C~+70°C
5. Storage temperature: -30°C~+80°C
6. Backlight: White(27LEDs)/9.6V/180mA  
Brightness: 420 cd/m<sup>2</sup>(TYP)
7. Power supply voltage: 3.3V
8. RoHS compliant
9. General tolerance: ±0.3mm



Backlight Circuit Diagram



LOGIC TECHNOLOGIES

Part Number		Revision	
LTTD800480070-L9		A	
Not to scale. Unit mm.		Sheet: 1/1	